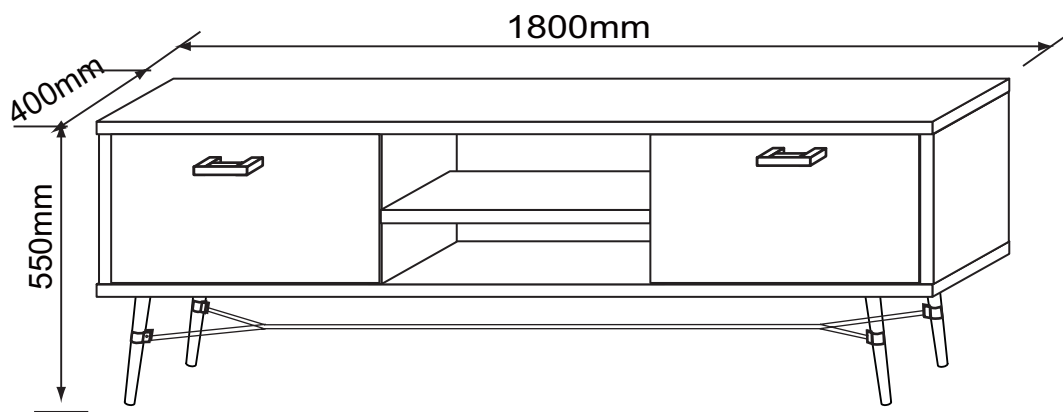




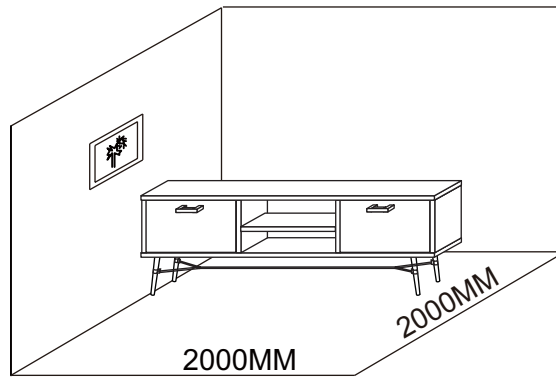
ASSEMBLY INSTRUCTION
KORI ENTERTAINMENT UNIT
ITEM CODE 60248

Imported by Amart Furniture Pty Ltd, Qld, Brisbane Australia.
For any assistance with assembly or for missing parts please phone
Amart Furniture, Customer Service Free call 1800 351 084



Imported by Amart Furniture Pty Ltd, Qld, Brisbane Australia.
For any assistance with assembly or for missing parts please phone
Amart Furniture, Customer Service Free call 1800 351 084





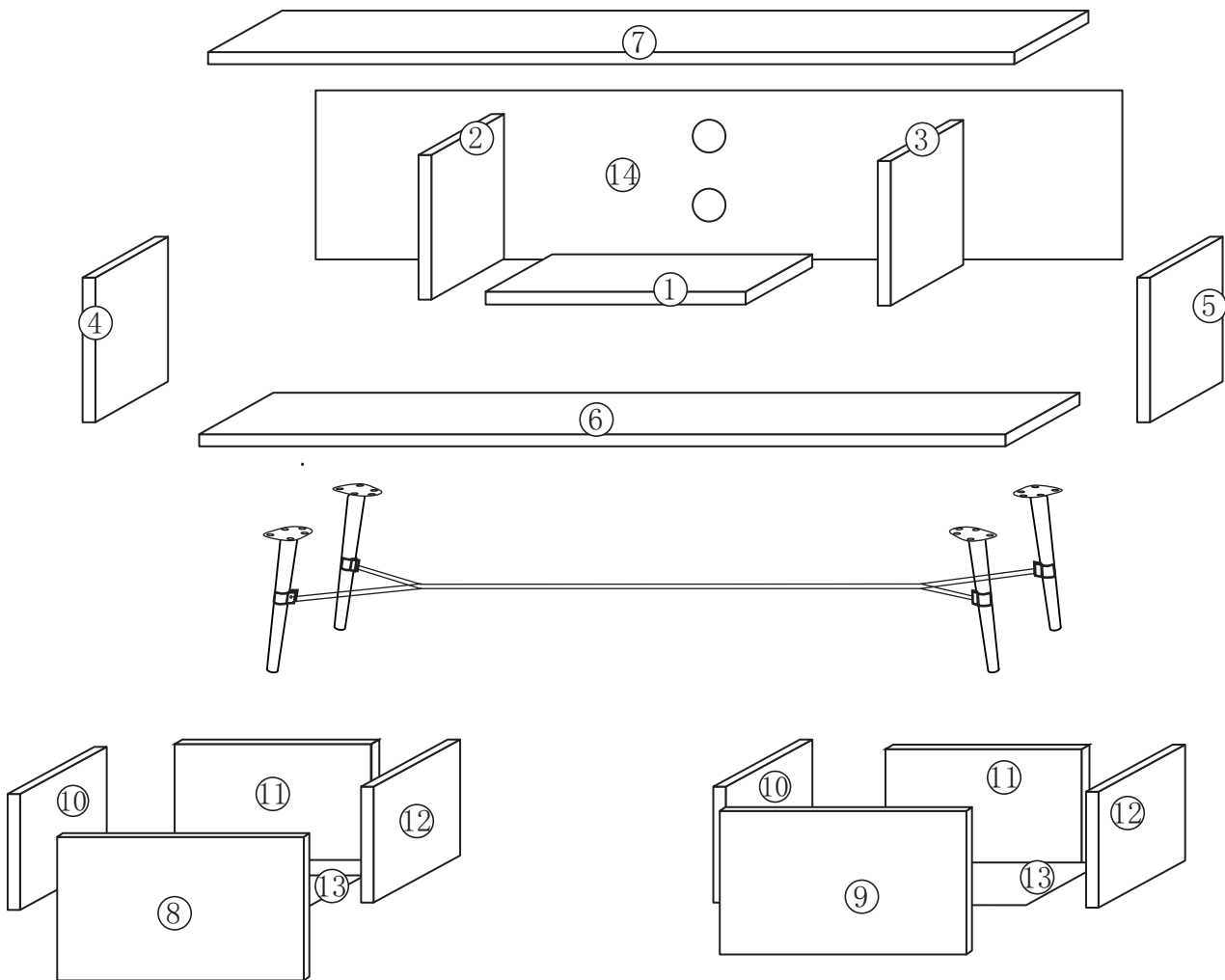
<p>ALLOW 60 MINUTES</p>	<p>PEOPLE REQUIRED</p>
<p>ADDITIONAL TOOLS REQUIRED</p>	

<h1>! TIPPING WARNING !</h1>	
	<p>Serious or fatal injuries may occur from furniture toppling over. To help avoid this please follow the below recommendations:</p> <ul style="list-style-type: none"> • Install the provided "Tipping Kit" as per the instructions • Never allow children to climb on or hang off of any part of this product • Unless specifically designed to accommodate, do not set TVs or other heavy objects on top of this product <p>If this product has drawers:</p> <ul style="list-style-type: none"> • Place the heaviest items in lowest drawers • Do not open more than 1 drawer at a time as this may cause the product to become unbalanced • Do not tamper with or remove any drawer interlocking/running system <p>Note: The use of the provided "Tipping Kit" may reduce but not necessarily eliminate the risk of furniture toppling over. Please use this product with caution.</p> <p><i>This is a permanent label. Do not attempt to remove!</i></p>

Assembly is to be carried out by a competent adult only.
During assembly children should be kept away from the product due to possible risk of injury.
Do not use this item if any components are missing or damaged.
Please keep these instructions for future reference.





















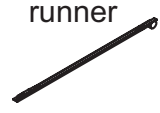
EXPLODED EXAMPLE



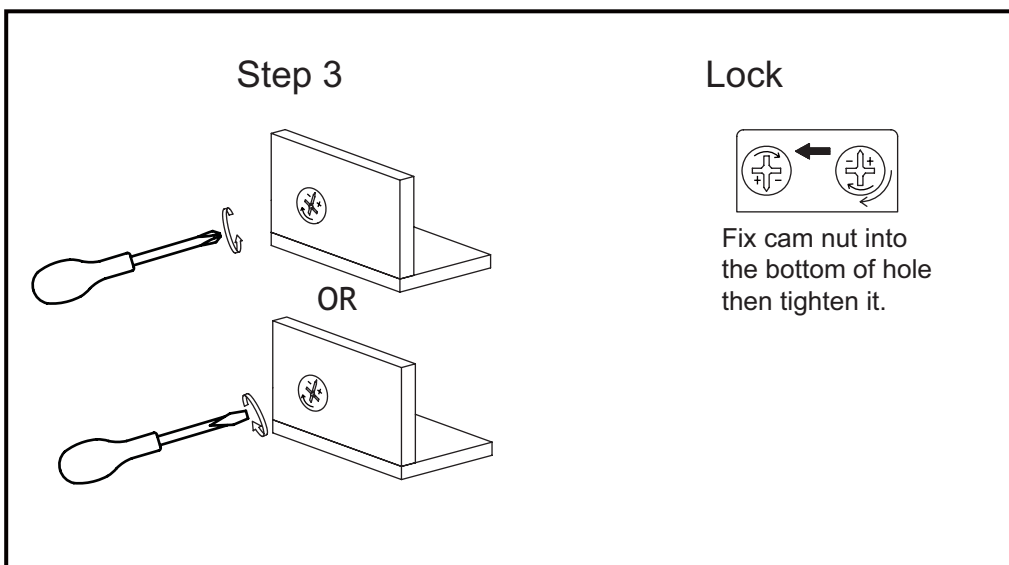
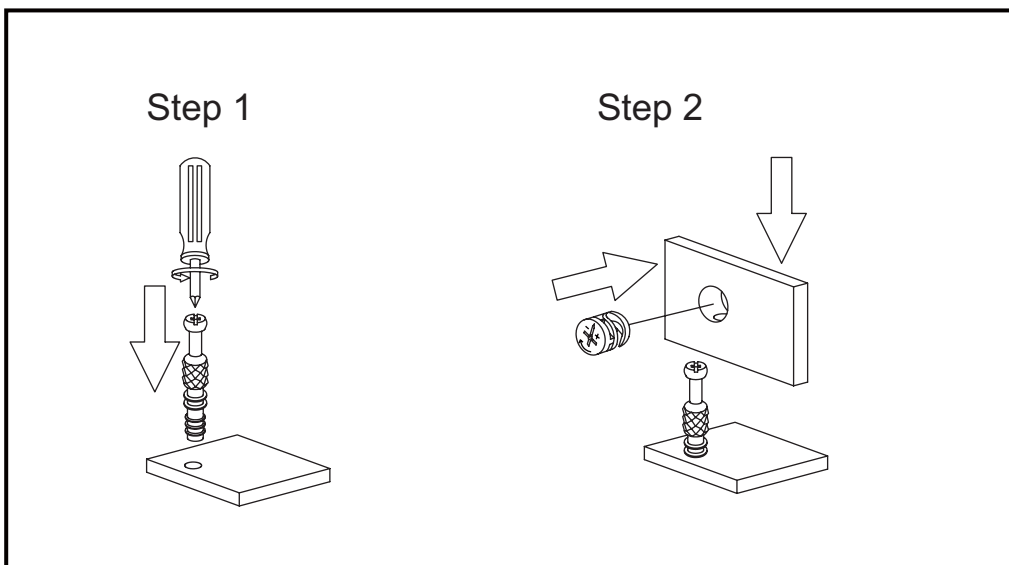
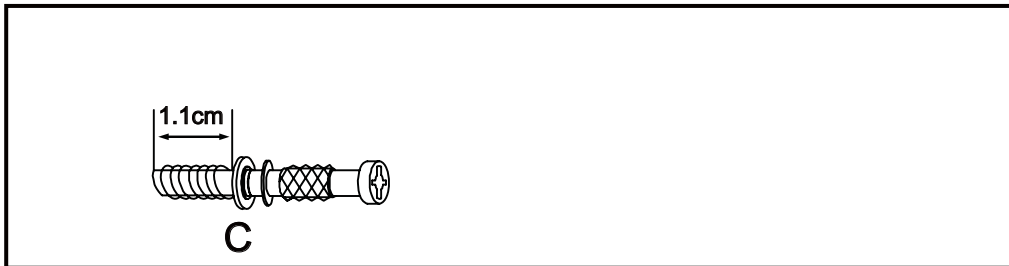
CHECKLIST

Before you start.....

1. Choose a clean, level, spacious assembly area. Avoid hard surfaces that may damage the product.
2. Check and ensure that you have all required contents for complete assembly.
3. Always read the assembly instructions carefully before beginning assembly.
4. The packaging and contents can be a choking hazard. Please keep out of reach of small children at all times.
5. Do not over tighten the bolts as this may damage the thread.

<input checked="" type="checkbox"/>	A <input type="checkbox"/> screw  M5x50mm 12xA	B <input type="checkbox"/> dowel  M8x30mm 20xB	C <input type="checkbox"/> cam pin  M7x39mm 16xC	D <input type="checkbox"/> cam lock  M15x12mm 16xD	E <input type="checkbox"/> metal leg  4xE
	F <input type="checkbox"/> screw  M4x14mm 20xF	G <input type="checkbox"/> screw  M5x40mm 8xG	H <input type="checkbox"/> allen key  1xH	I <input type="checkbox"/> metal tube  1xI	J <input type="checkbox"/> screw  4xJ
	K <input type="checkbox"/> screw  M3x16mm 22xK	L <input type="checkbox"/> handle  2xL	M <input type="checkbox"/> screw  M3.5x14mm 24xM	N <input type="checkbox"/> spanner  1xN	CL <input type="checkbox"/> runner  300mm 2xCL
	O <input type="checkbox"/> wall fixing  M4x30mm M3.5x14mm 1xO	CR <input type="checkbox"/> runner  300mm 2xCR	DL <input type="checkbox"/> runner  300mm 2xDL	DR <input type="checkbox"/> runner  300mm 2xDR	

CAM LOCK INSTALL METHOD AS FOLLOWS

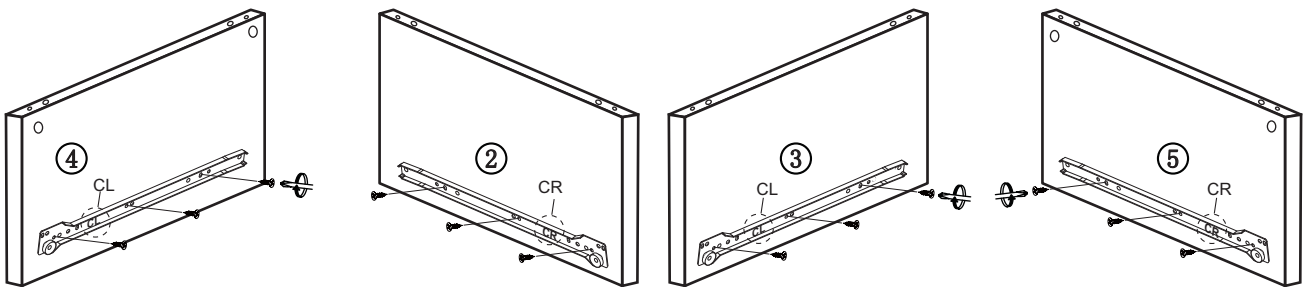
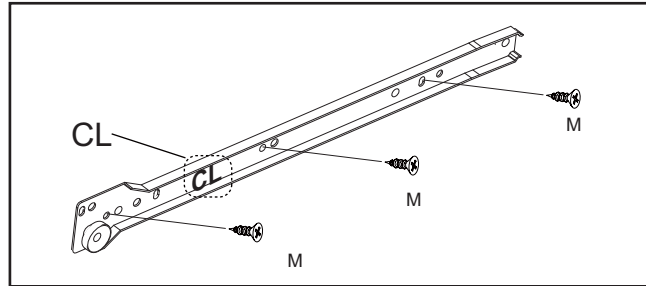


PART NUMBER	QTY	DIMENSIONS (MM)
1	1	674x373x18
2	1	375x254x18
3	1	375x254x18
4	1	393x254x18
5	1	393x254x18
6	1	1800x395x18
7	1	1800x398x18
8	1	540x246x15
9	1	540x246x15
10	2	330x140x15
11	2	470x140x15
12	2	330x140x15
13	2	324x477x2.7
14	1	1794x271x2.7

1



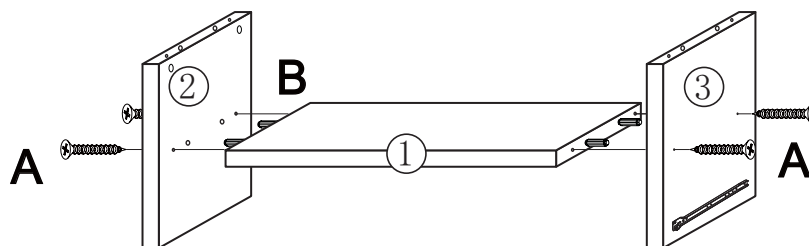
STEP 1: Install runner (CL) (CR) to panel (2)(3)(4)(5) with screws (M) .
Please pay attention to screw location as shown in diagram.



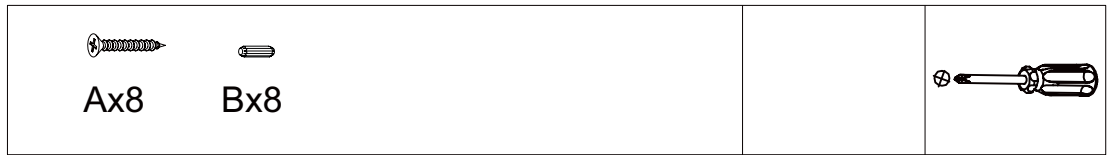
2



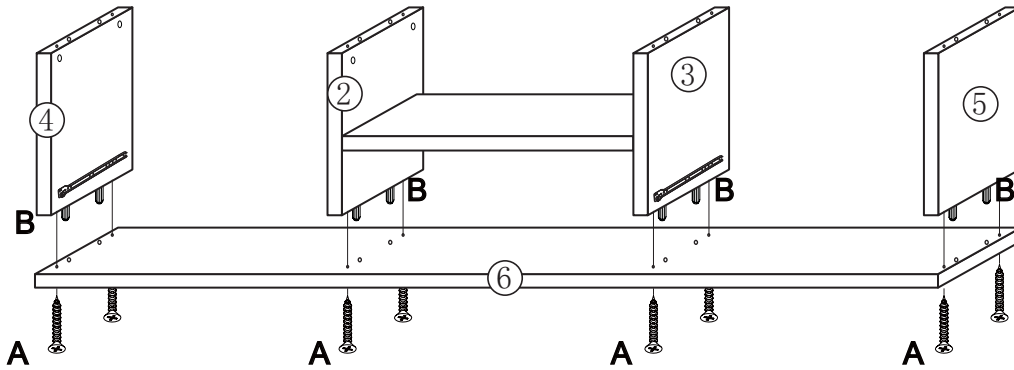
STEP 2: Fix panel (1) between side panel (2)&(3), using screw (A) and dowel (B).



3



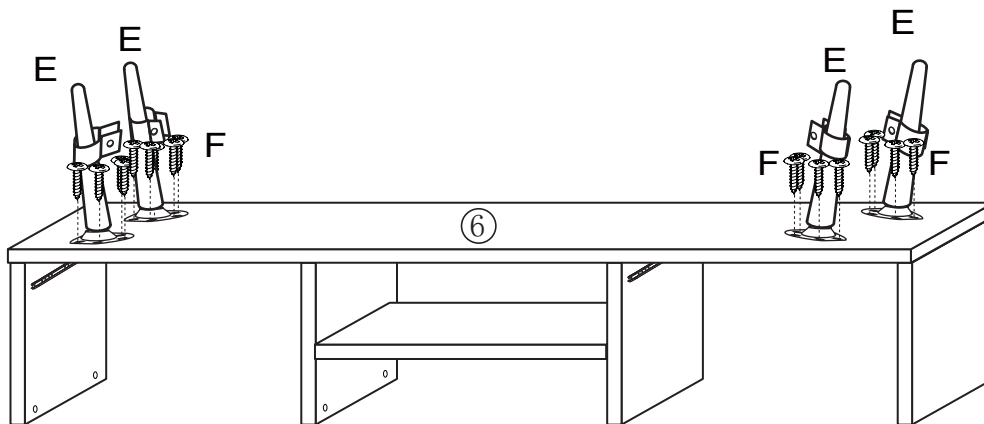
STEP 3: Attach panel (6) to the body with screw (A) and dowel (B).



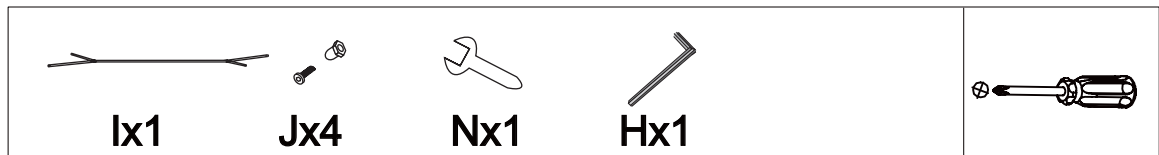
4



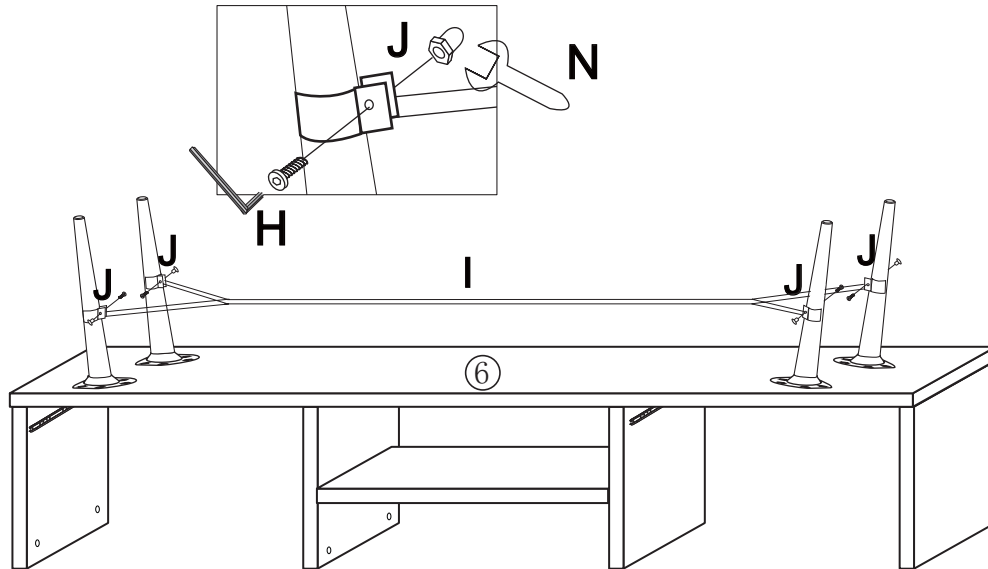
STEP 4 : Fix metal leg (E) to bottom panel (6) with screw (F).



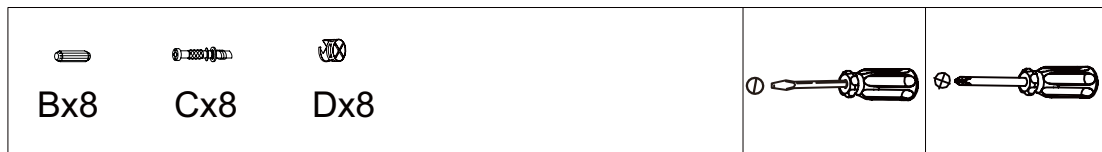
5



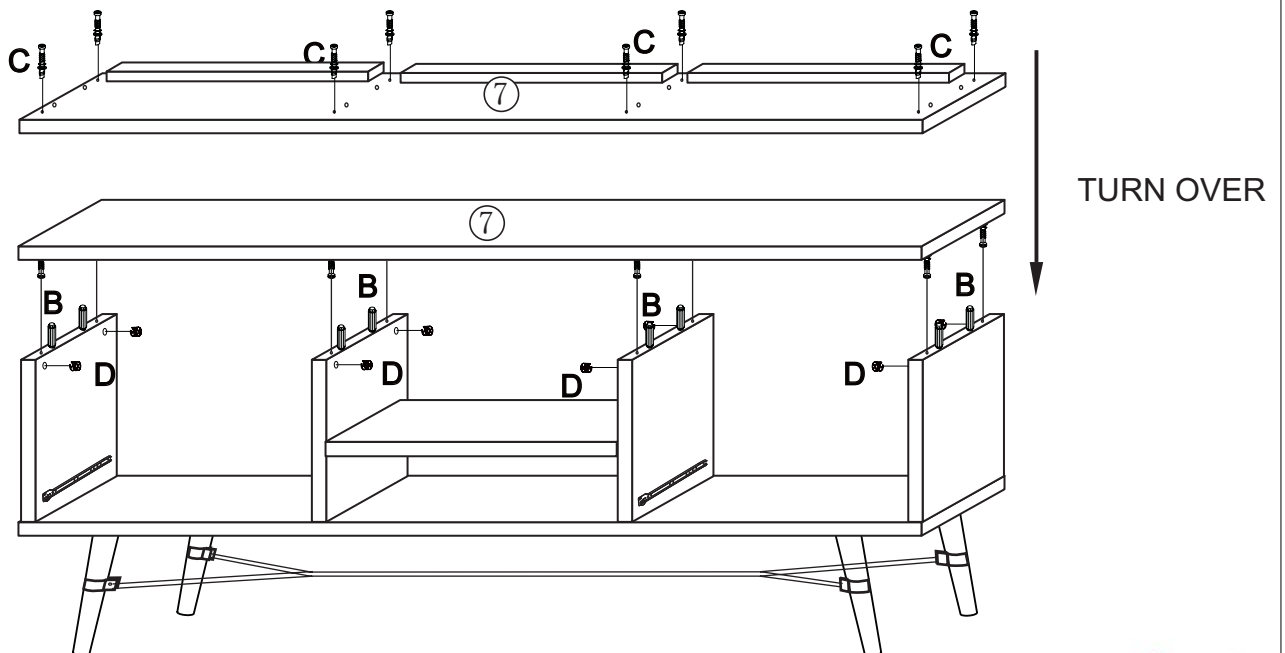
STEP 5: Fix metal tube (I) to leg with screw (J) using allen key (H) and spanner (N).



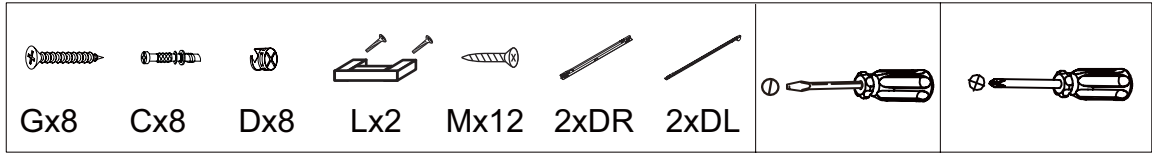
6



STEP 6: fix cam pin (C) to top panel (7).
Attach top panel (7) to the body with dowel (B) and cam lock parts (C) & (D).



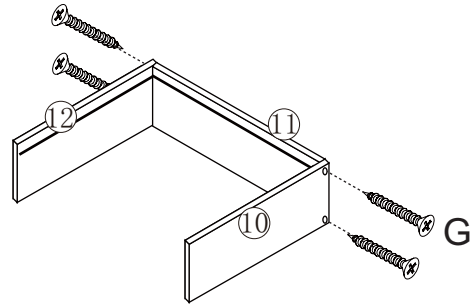
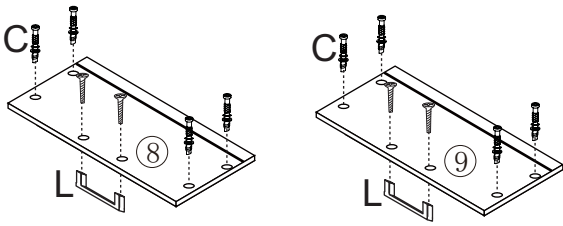
7



STEP7: Install drawers as shown in diagram.

1A: Fix cam lock (C) and handle (L) to drawer front (8), (9)

2: Join side panels (10)(12) and back panel (11) with screws (G).

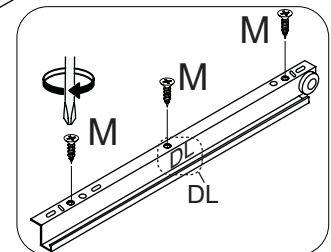
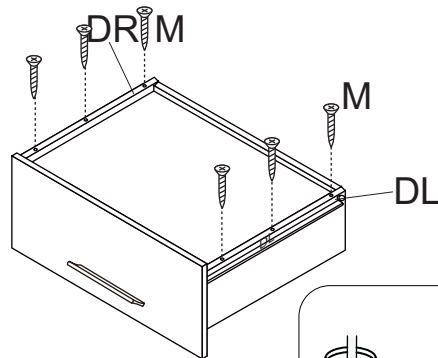
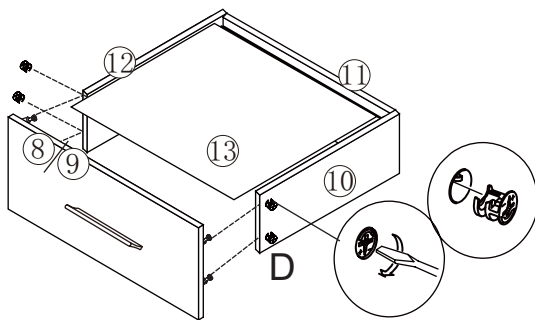


x2

3A: Put bottom panel (13) into groove of panel (12)(10) and (11).

3B: Attach drawer front (8) (9) to the drawer with cam lock (D).

4: Install runner (DR) & (DL) to the bottom of drawer with screws (M).



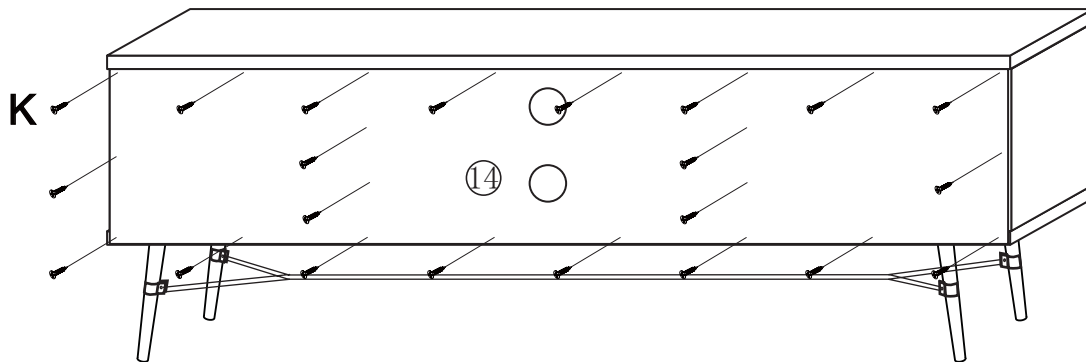
x2

8


Kx22



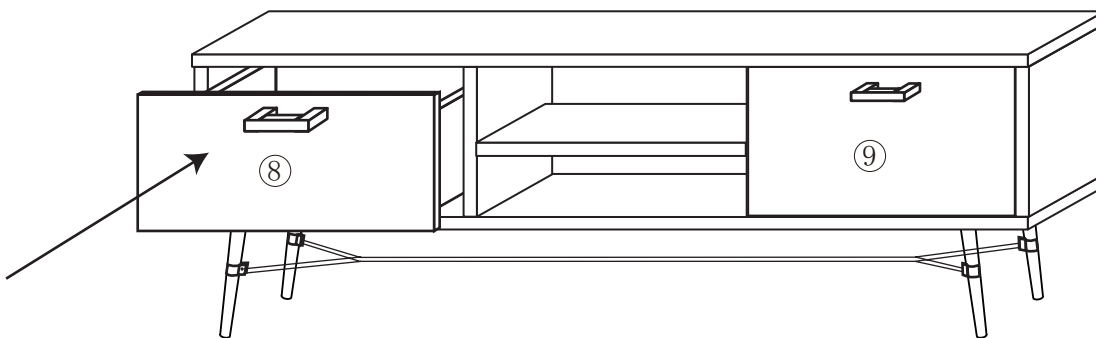
STEP 8: attach back panel (14) to the body with screw (K).

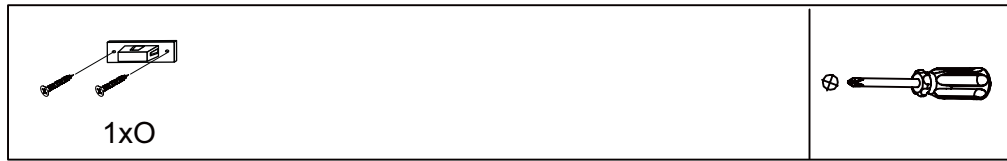


9

ASSEMBLY COMPLETE

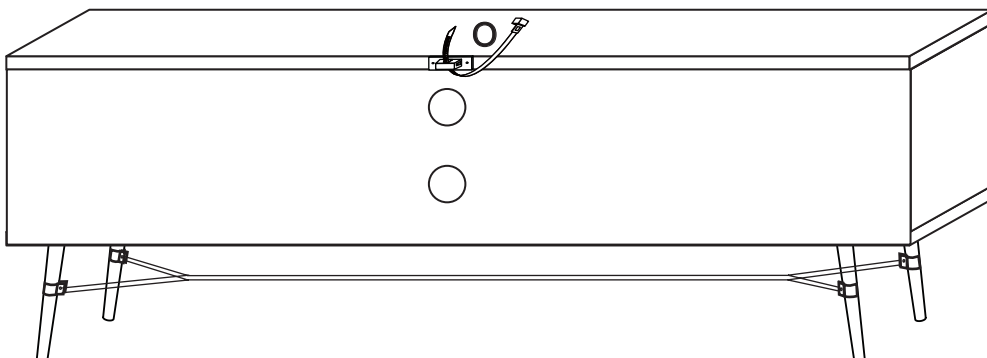
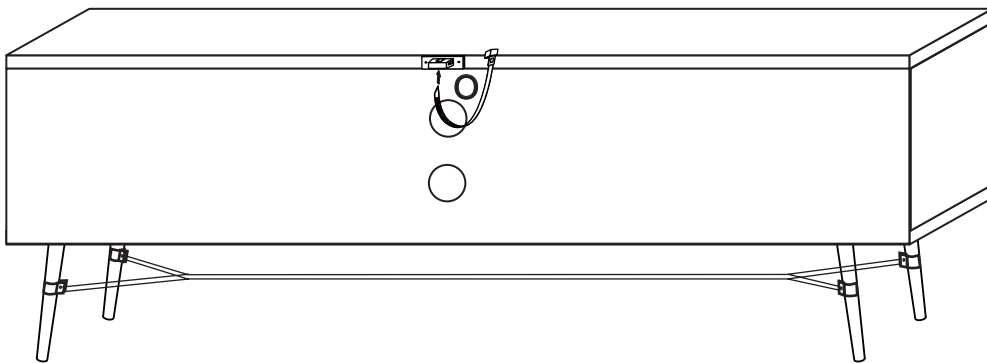
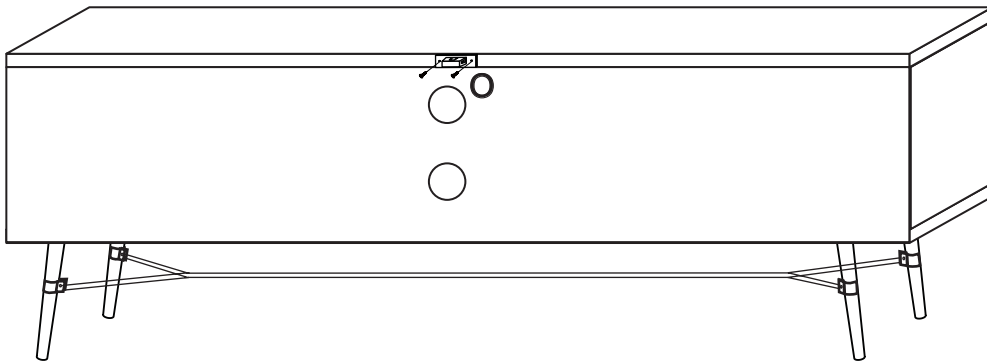
DO NOT PUSH OR DRAG THIS FURNITURE – IT WILL CAUSE
DAMAGE TO THE LEGS





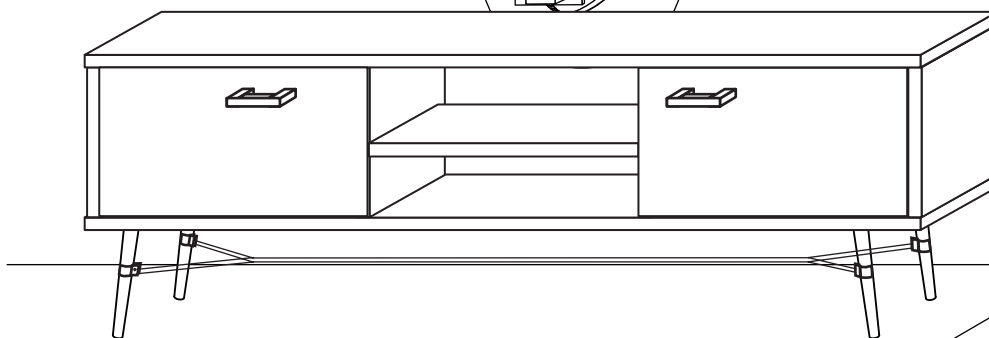
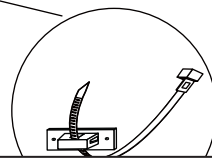
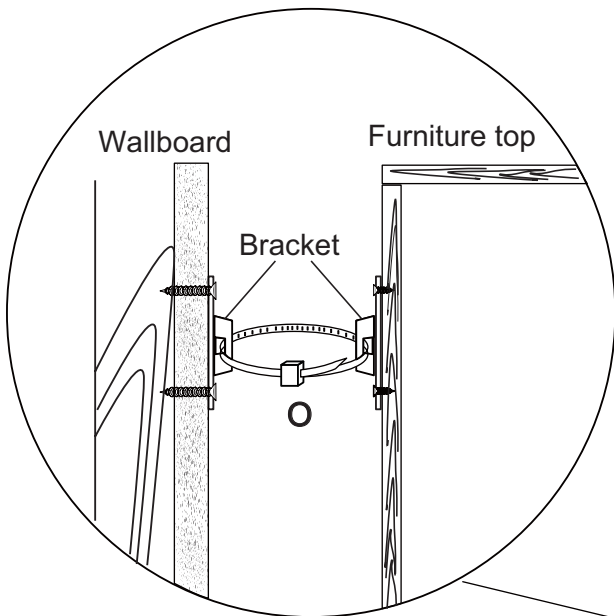
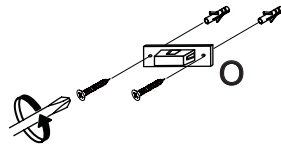
**STEP 1: Fix bracket to back panel using screws M3.5*14MM .
Put plastic string into bracket.**

NOTE - This product must be fixed to a wall. Please ensure the correct wall fixings are used. Failure to do so may result in personal injury or cause property damage if the product topples over. Please note that the screws are only suitable for plasterboard wall materials, please contact local hardware store for corresponding screws for other wall materials.





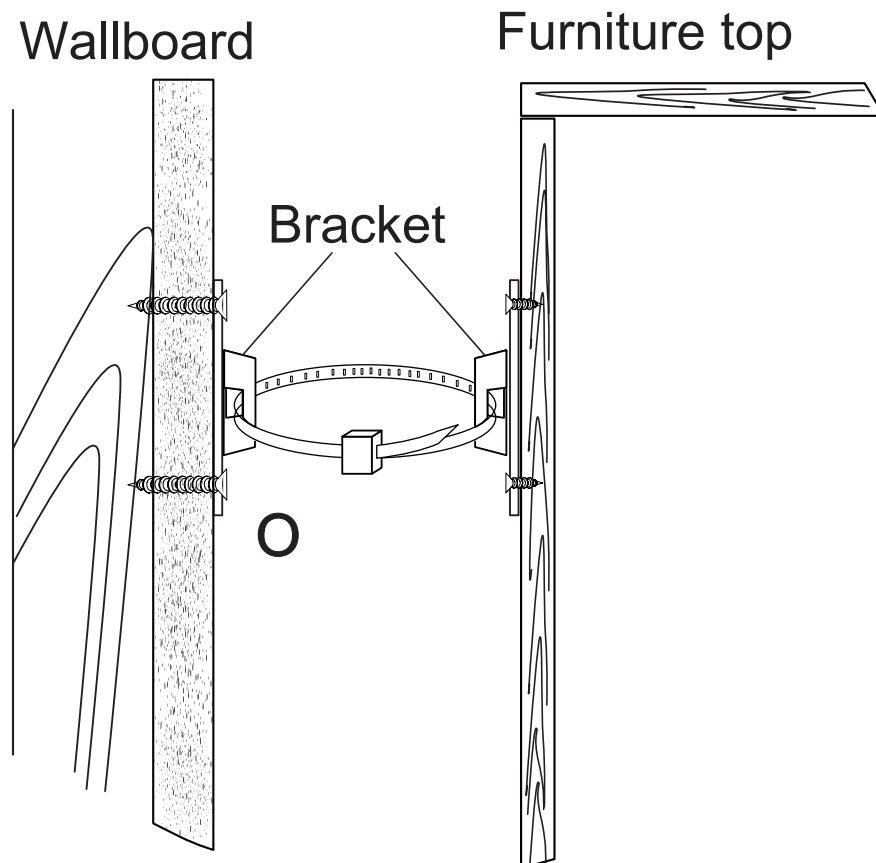
STEP 2: Fix bracket onto the wall using screws M4*30MM.
Join wallboard and the furniture with plastic sting.





SAFETY BRACKETS INSTRUCTIONS

1. Attach a bracket to the wallboard with the long screws provided.
2. Attach a bracket to the furniture frame under the top with the short screws provided.
3. Move the furniture into its final position. Thread a strap through the bracket as shown in the illustration, tighten strap until snug. Do not over tighten.
4. Make sure the bracket is firmly attached to the wallboard and furniture, and the strap is snug.



PRODUCT CARE:

To protect your furniture, we suggest the following:

*Avoid placing your furniture in direct sunlight.

*Do not place furniture directly under windows.

*Do not place sharp materials(knife, fork, etc) directly onto your furniture as sharp material may scrape and damage the finish.

Do not place material with high temperature directly onto the surface of your furniture.

*Protective padding is strongly recommended when using your furniture .

*Clean up spills quickly. Water left over a prolonged period of time may cause damage. Alcohol, perfume, nail polishes, aftershave and some medication may cause severe finish damage if not cleaned immediately.

*Use a clean, soft, dry, lint free absorbant cloth to clean your furniture. Do not use any detergent as they may contain ingredients that may react and damage the finish.